

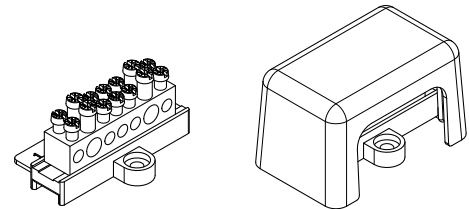
9430 / 943 / 944

Equipotential busbars

Product information

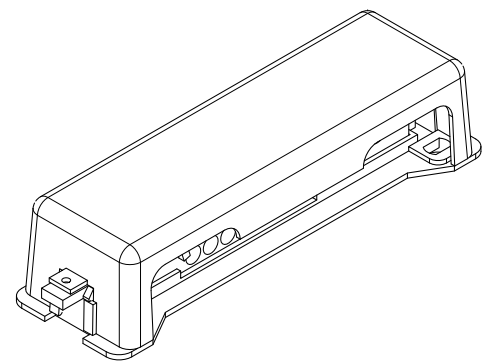
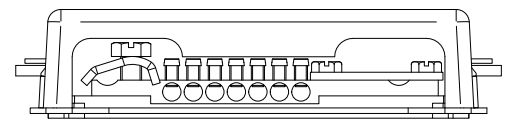
Equipotential busbar

- available with or without cover
- for equipotential bonding according to DIN VDE 0100-410/-540 as well as lightning protection equipotential bonding according to DIN VDE 0185-305



943o

943



944

Technical data	943o	943	944
Max. lightning current ampacity	100 kA (10/350)		100 kA (10/350)
Cross sections			
U-single wire, R-multi wire	2 x 2,5 - 25 mm ² 5 x 1,5 - 10 mm ²		2 x 2,5 - 25 mm ²
K-fine wire (with sleeve)	2 x 2,5 - 16 mm ²		7 x 2,5 - 25 mm ²
F-fine wire (with sleeve)	5 x 1,5 - 6 mm ²		7 x 2,5 - 16 mm ²
Massive round connector (lightning protection)	-		1 x 8 - 12 mm
Earthing strap	-		up to 30 x 3,5 mm
max. torque	2 x 3,5 Nm 5 x 2 Nm		7 x 3,5 Nm
Protection class	-	IP 10	IP 20

Types

Part#	Description
943o	Equipotential busbar without cover
943	Equipotential busbar with cover, Protection class IP 10
944	Equipotential busbar with cover, Protection class IP 20